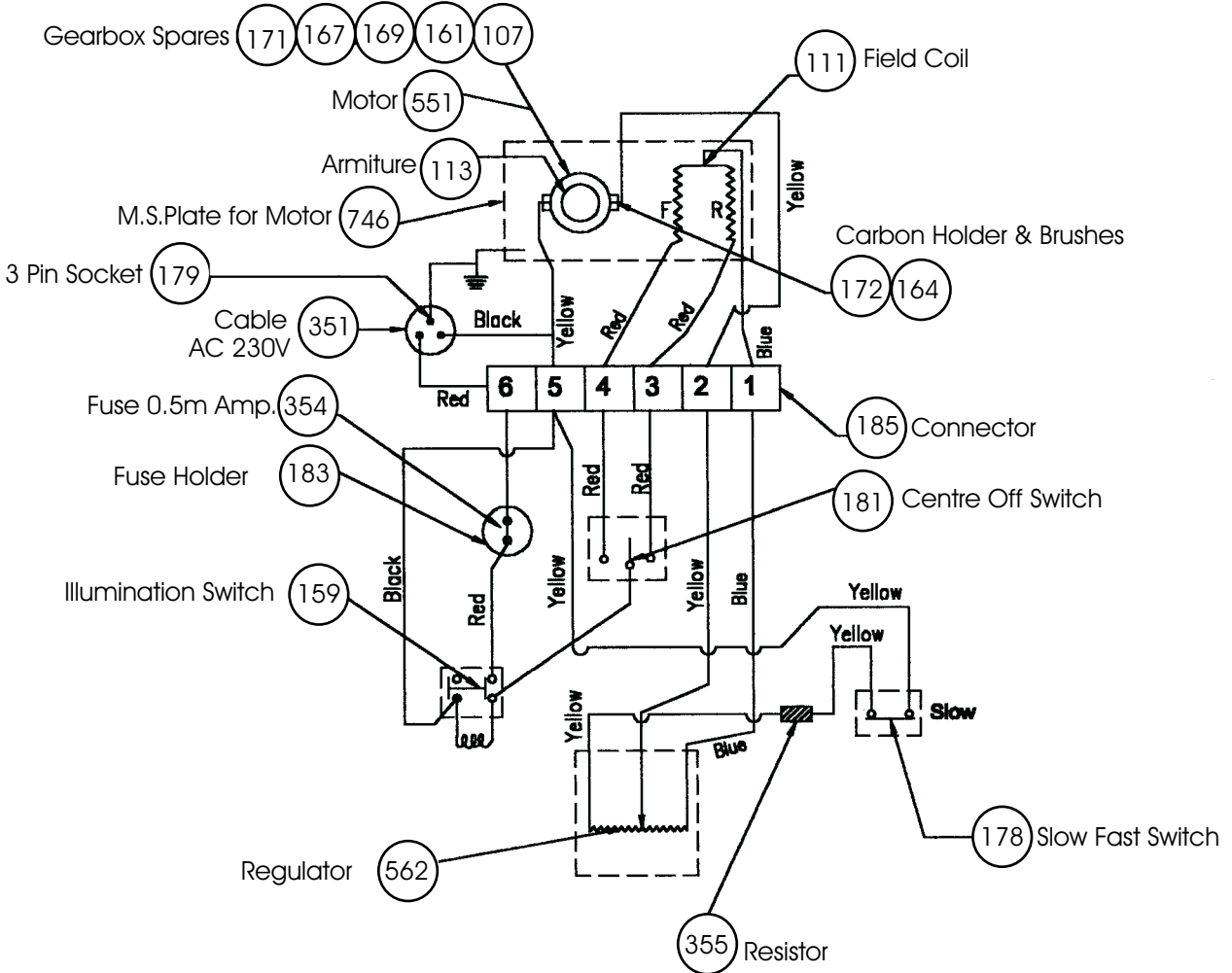
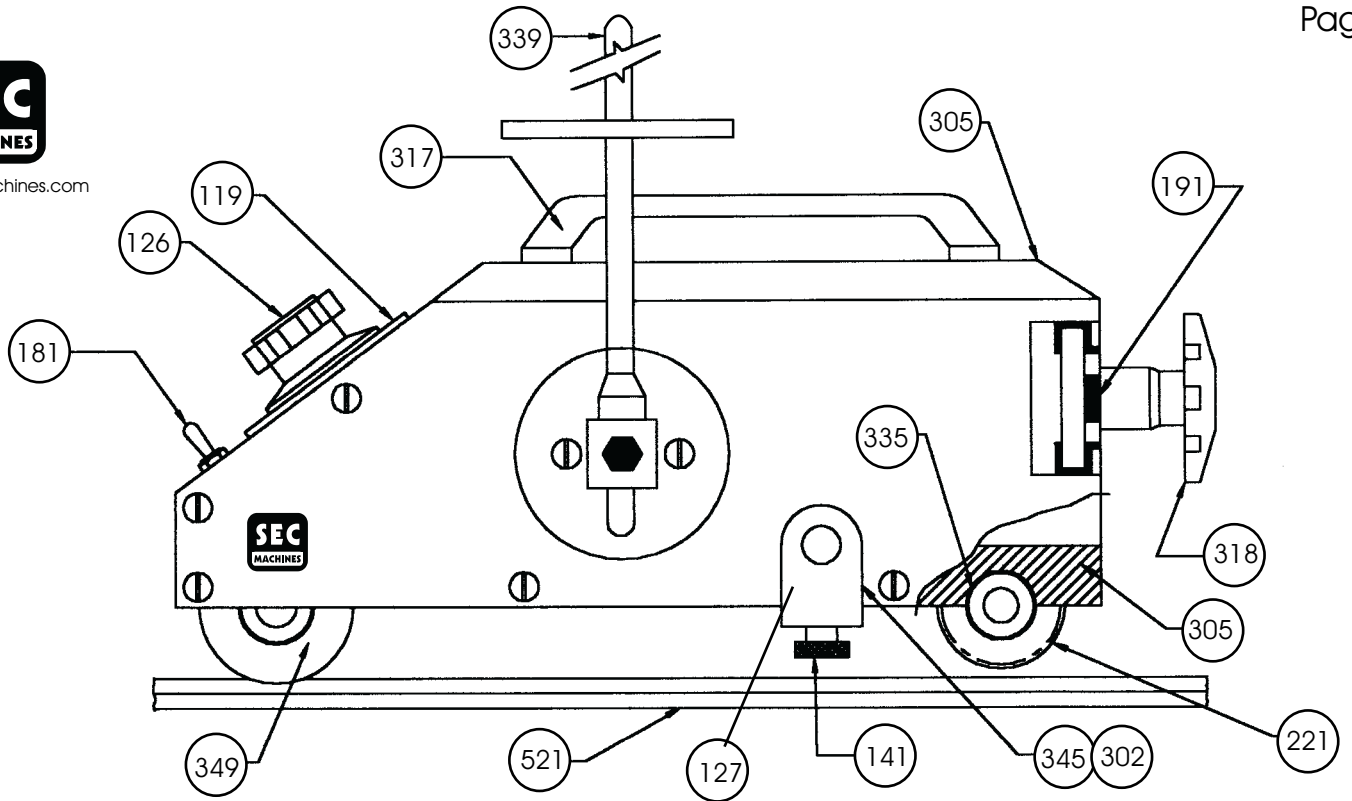


Multicut spares' General Arrangement Drawing.



www.secmachines.com



Multicut spares' General Arrangement Drawing.

<b>Part No.</b>	<b>Description</b>	<b>Qty.</b>
107	<b>Gearbox - Unit</b>	1 Set
111	<b>Field Coil</b>	1 Pc
113	<b>Armiture</b>	1 Pc
119	<b>Regulator Label</b>	1 Pc
122	<b>FOR Label</b>	1 Pc
124	<b>Slow Fast Label</b>	1 Pc
126	<b>Disk Knob</b>	1 Pc
127	<b>Circle Cutting Attachment</b>	1 Pc
141	<b>L Plate Bolts</b>	1 Set
155	<b>Swivel wheel assembly</b>	1 Set
159	<b>Illumination Switch</b>	1 Pc
161	<b>Output Gear - Motor</b>	1 Pc
164	<b>Carbon Brush Set</b>	1 Set
167	<b>Double Start Worm</b>	1 Pc
169	<b>Brass Gear - Gear Box</b>	1 Pc
171	<b>Fibre Gear - Gear Box</b>	1 Pc
172	<b>CarbonHolder With Cap</b>	1 Set
178	<b>Slow /Fast Switch</b>	1 Pc
179	<b>Three Pin Socket</b>	1 Pc
181	<b>Centre Off Switch</b>	1 Pc
183	<b>Fuse Holder</b>	1 Pc
185	<b>Connector - Small</b>	1 Pc
191	<b>Handwheel Pinion - small</b>	1 Set
221	<b>Wheel Gear</b>	1 Pc
302	<b>Weight - Circle Cutting</b>	1 Pc
305	<b>Chasis Casting Plasma</b>	1 No
315	<b>Torch Bracket Small - Plasma</b>	1 Pc
317	<b>Handle Plasma</b>	1 Pc
318	<b>Handwheel Knob</b>	1 Pc
335	<b>Chasis Bushes Plasma</b>	1 Set
339	<b>Counter weight Unit</b>	1 Set
345	<b>L Plate</b>	1 Pc
346	<b>Plasma Heat Shield Unit</b>	1 Set
347	<b>Verticle Slide Unit</b>	1 No
349	<b>Wheel Assembly - Plasma</b>	1 Set
349	<b>Wheel Set</b>	4 Nos
351	<b>Cable - 4 Mtr</b>	4 Mtrs
352	<b>Torch Bracket Big - Plasma</b>	1 Pc
354	<b>Fuse 0.5</b>	1 Pc
355	<b>Resistor 10W</b>	1 Pc
505	<b>Tin Body - Plasma</b>	1 Set
521	<b>MS Solid Rail - Plasma</b>	1 Pc
551	<b>Motor</b>	1 Set
562	<b>Regulator</b>	1 Pc
744	<b>Sliding Plate Plasma</b>	1 Pc
746	<b>MS Plate for Motor</b>	1 No